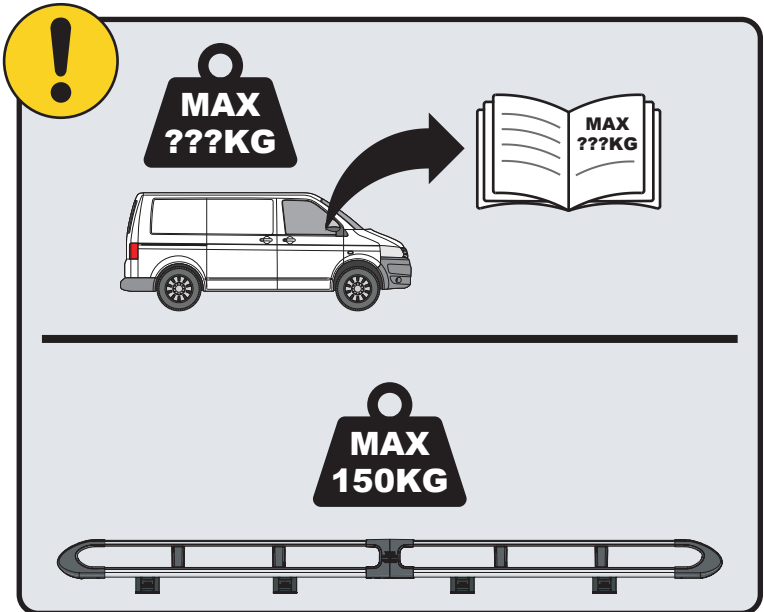
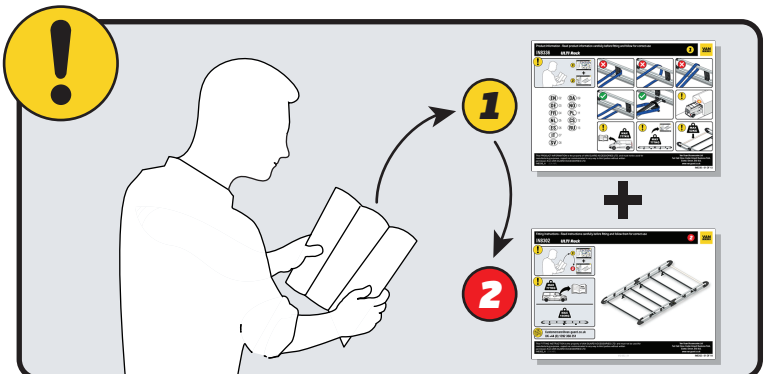


# IN8277

## ULTI Rack+



 [Customercare@van-guard.co.uk](mailto:Customercare@van-guard.co.uk)  
UK +44 (0) 1392 368 351



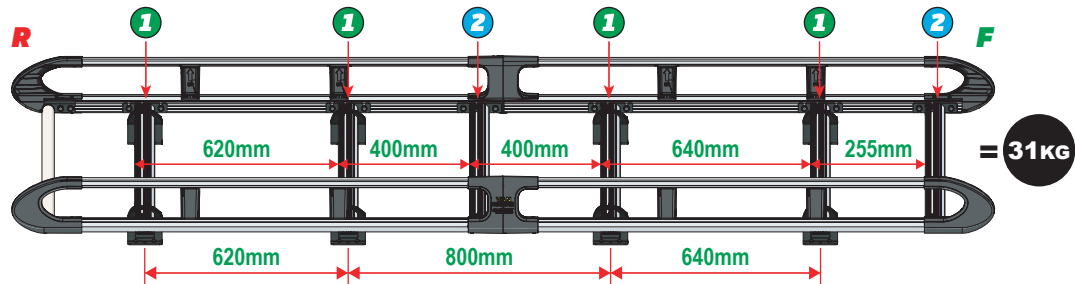
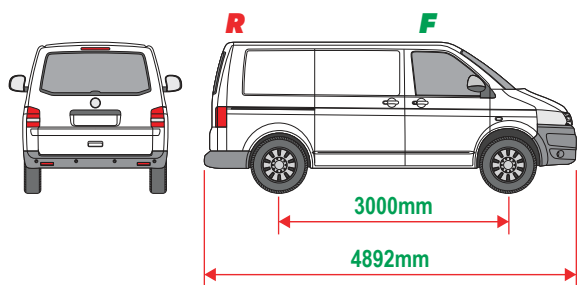
This FITTING INSTRUCTION is the property of VAN GUARD ACCESSORIES LTD. and must not be used for manufacturing purposes, copied nor communicated in any way to third parties without written permission from VAN GUARD ACCESSORIES LTD.  
IN8277\_A (CN:NR)

Van Guard Accessories Ltd  
Fair Oak Close, Exeter Airport Business Park,  
Exeter, Devon, EX5 2UL  
[www.van-guard.co.uk](http://www.van-guard.co.uk)

THIS INSTRUCTION COVERS THE FOLLOWING MODELS - CHECK YOU ARE FITTING THE CORRECT MODEL BEFORE PROCEEDING

# VGUR-206

Volkswagen T5: 2002-2015  
Volkswagen T6: 2015 on  
L1H1 (SWB)  
Tailgate



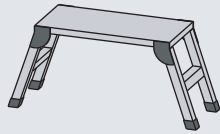
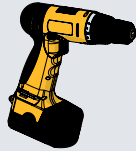
**SUPPLIED COMPONENTS - CHECK ALL PARTS ARE PRESENT AND CORRECT BEFORE PROCEEDING (1 OF 2)**

**TOOLS REQUIRED**

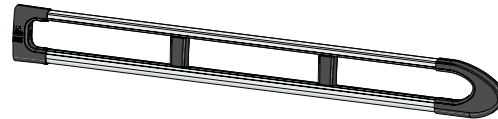
**10MM X1**



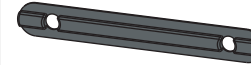
**13MM X1**



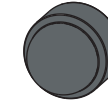
**AS3539 X2**  
(2800 / A)



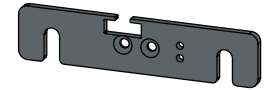
**MA6118 X12**



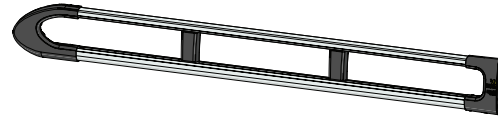
**FX4241 X28**



**ME1622 X2**



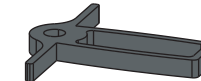
**AS3538 X2**  
(2800 / B)



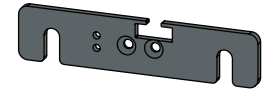
**FX4008 X1**



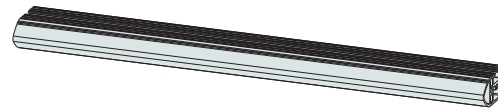
**MA6145 X1**



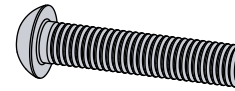
**ME1623 X2**



**ME1627 X6**  
(1354mm)



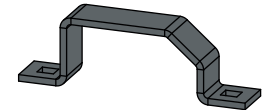
**FX4001 X2**  
(M8X40)



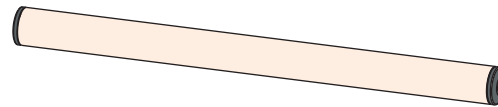
**FX4235 X24**  
(M5X25)



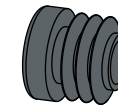
**ME0203 X8**



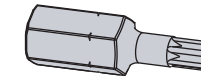
**AS3159 X1**  
(1340mm)



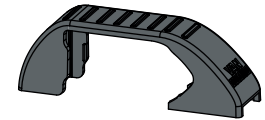
**MA6007 X4**



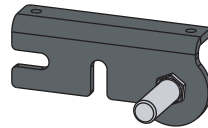
**FX4248 X1**  
(T25)



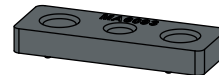
**MA6065 X8**



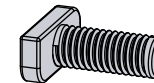
**AS3590 X1**



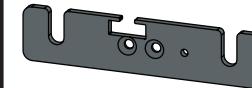
**MA6093 X12**



**FX4239 X28**  
(M8X20)



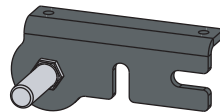
**ME1620 X4**



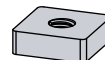
**FX4016 X16**  
(M6)



**AS3591 X1**



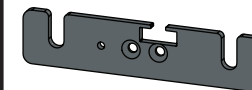
**ME0316 X12**



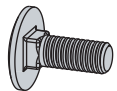
**FX4240 X28**  
(M8)



**ME1621 X4**

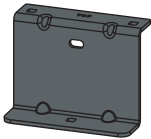


**FX4042 X16**  
(M6X16)



SUPPLIED COMPONENTS - CHECK ALL PARTS ARE PRESENT AND CORRECT BEFORE PROCEEDING (2 OF 2)

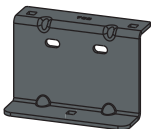
**ME0707 X4**



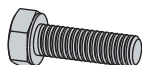
**FX4014 X8**



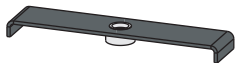
**ME0708 X4**



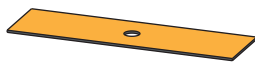
**FX4026 X8**  
(M6X20)



**AS3162 X8**



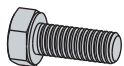
**MA6018 X8**



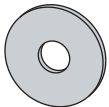
**FX4010 X8**  
(M6)



**FX4012 X8**  
(M6X16)



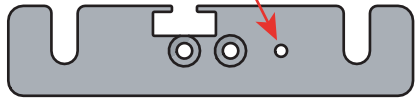
**FX4013 X8**  
(M6)





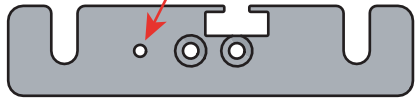
**01**

**1L**



**X4**

**1R**



**X4**

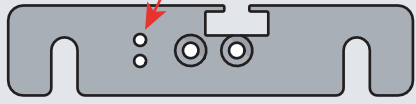


**2L**



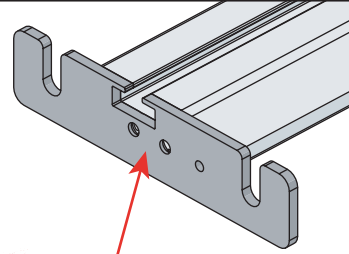
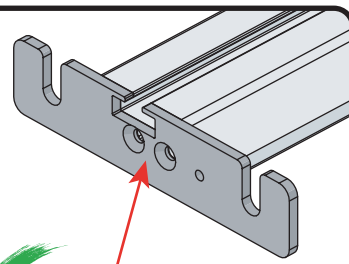
**X2**

**2R**



**X2**

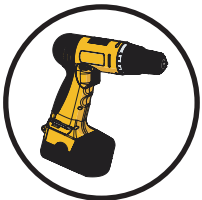
**02**



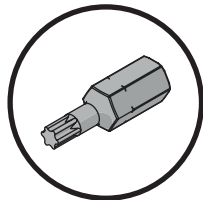
**03**

**01**

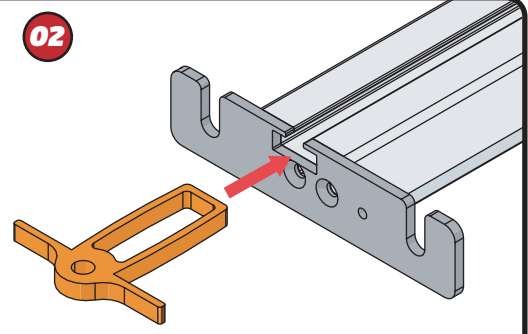
**FX4248**



**+**



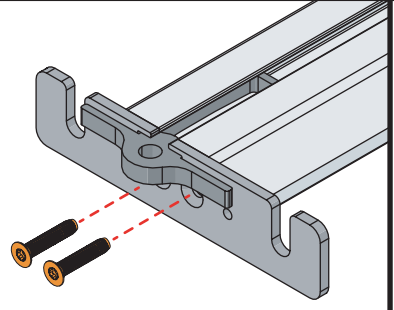
**02**



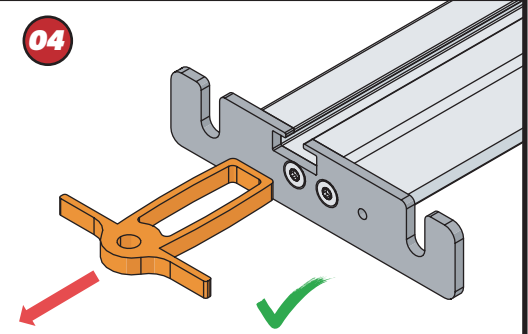
**03**



**11Nm**



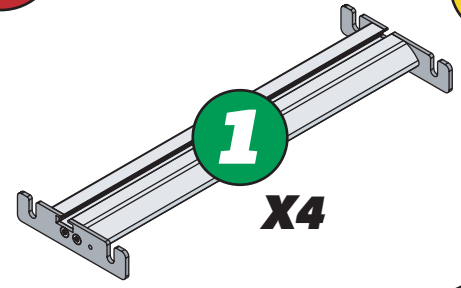
**04**



**04**

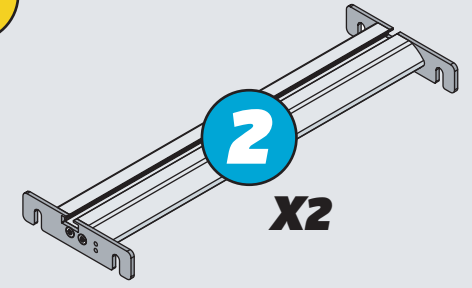


**1**

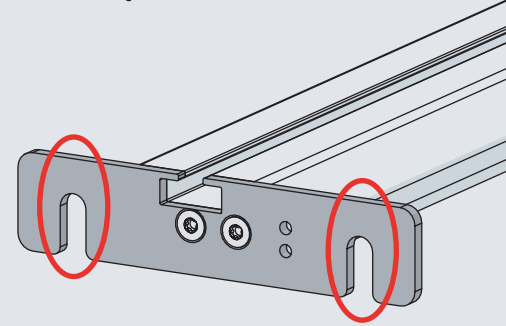
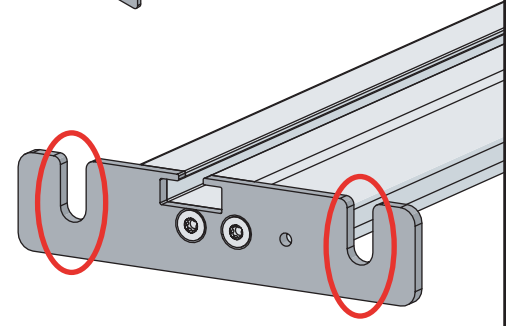


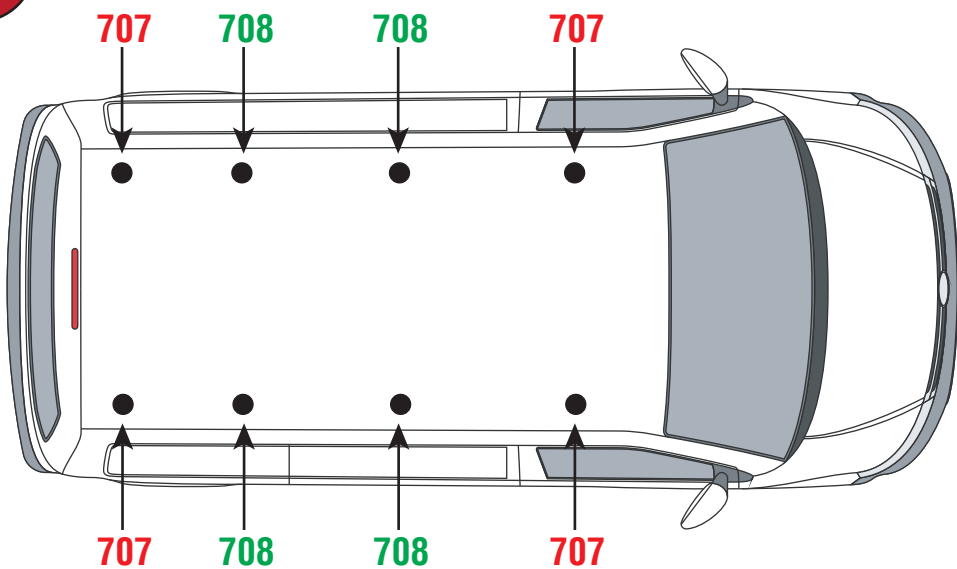
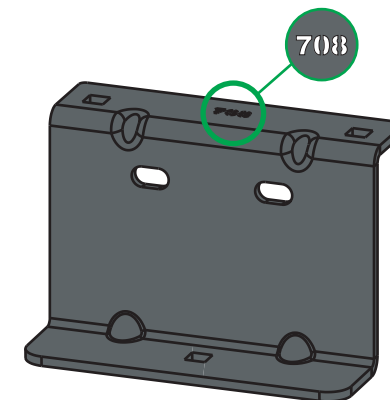
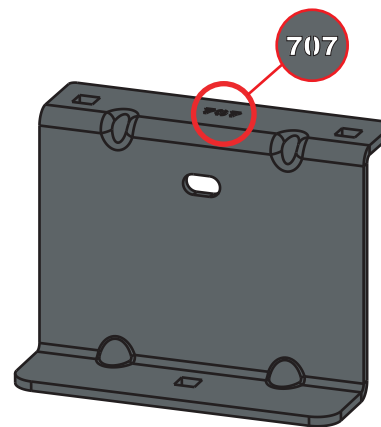
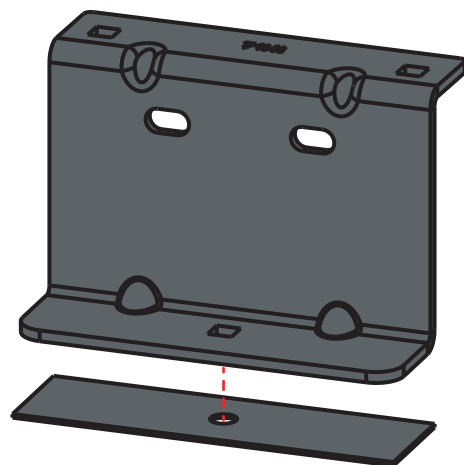
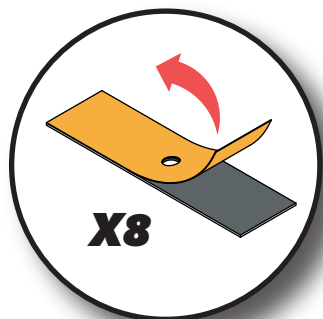
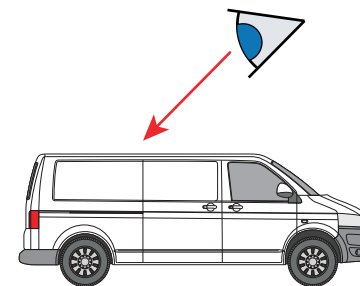
**X4**

**2**



**X2**



**05****707****708****06****07**

THREADED INSERTS

**08 09**

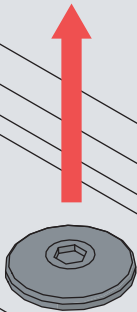
ROOF PREPERATION KIT (T-TRACK)

**10 11**

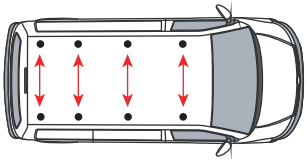
EN - STICK GASKETS TO ALL BRACKETS  
 DE - KLEBEN SIE DIE DICHTUNG AN ALLEN HALTERUNGEN  
 FR - COUSSINETS ADHÉSIFS À TOUS LES SUPPORTS  
 NL - PLAK PAKKING OP ALLE BEUGELS  
 ES - PEGA LAS ALMOHADILLAS A TODOS LOS SOPORTES  
 IT - ADESIVI GUARNIZIONI A TUTTE LE STAFFE

SV - FÄST GUMMI PÅ ALLA FÄSTEN  
 DA - KLÆB GUMMI PÅ ALLE BESLAG  
 NO - PLIST GUMMI PÅ ALLE BRAKKETTER  
 PL - NAKLEJ USZCZELKI DO WSZYSTKICH WSPORNIKÓW  
 CS - PŘILEPTE TĚSNĚNÍ NA VŠECHNY DRŽÁKY

08

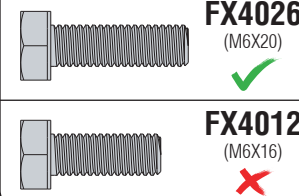
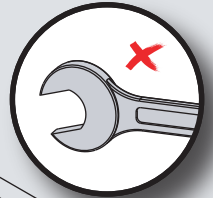
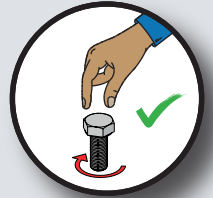
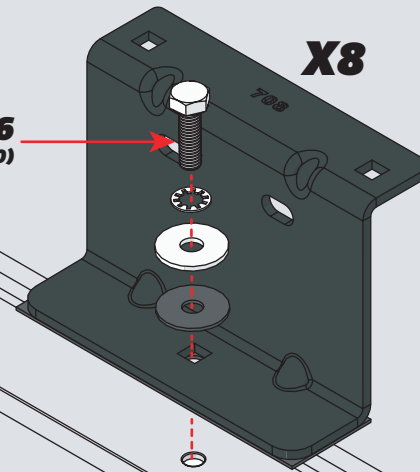


X8



09

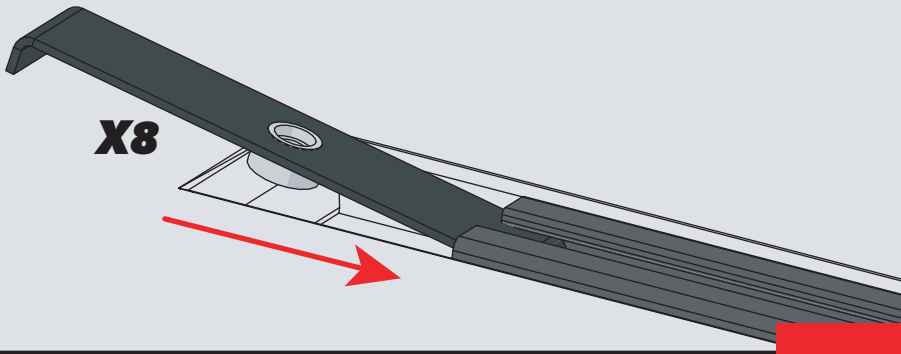
FX4026  
(M6X20)



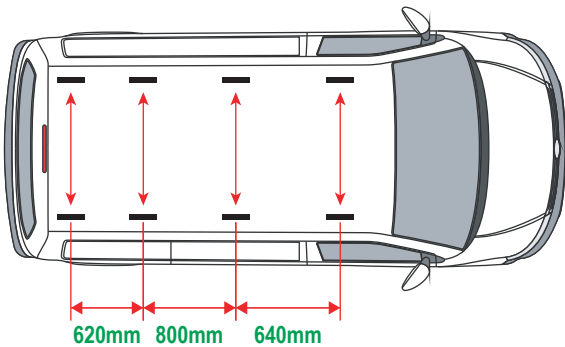
FX4026  
(M6X20)

FX4012  
(M6X16)

10

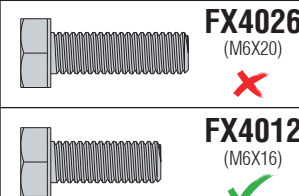
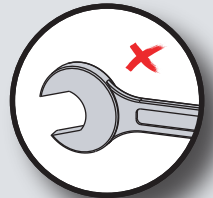
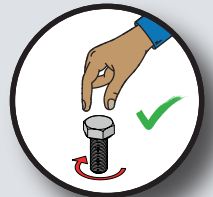
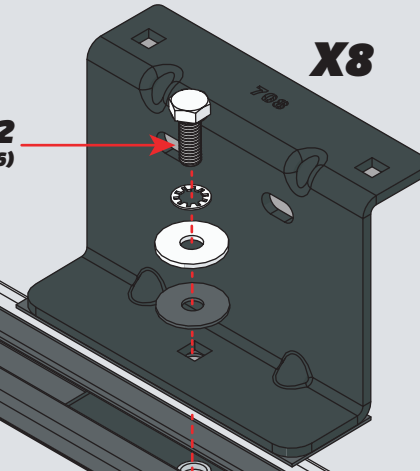


X8



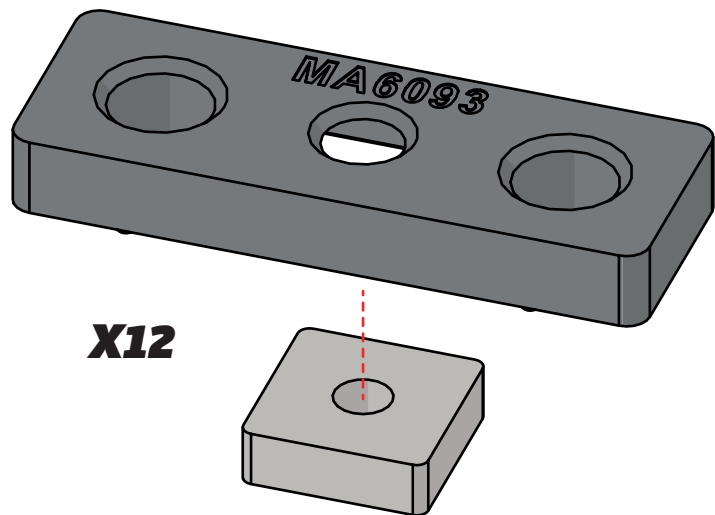
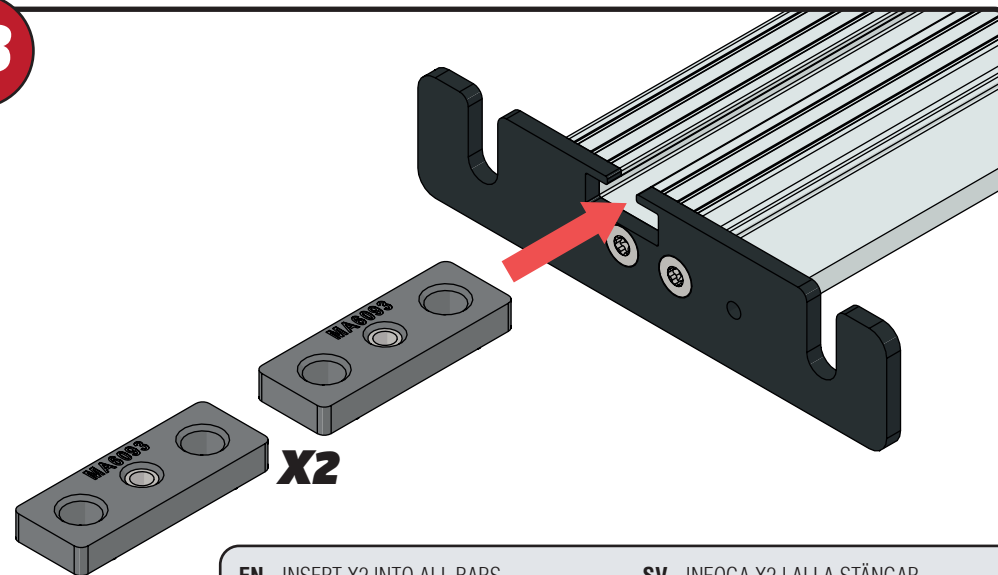
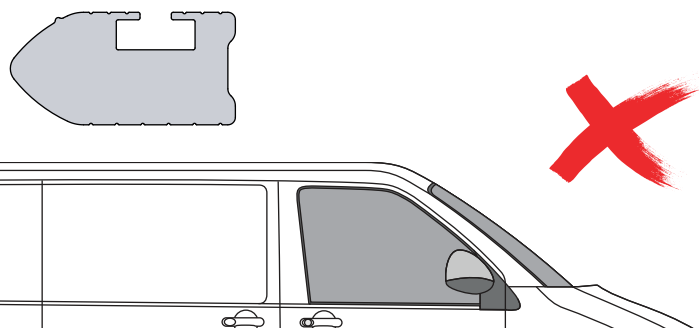
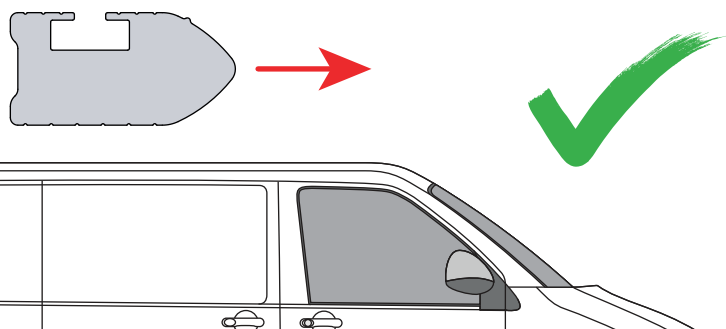
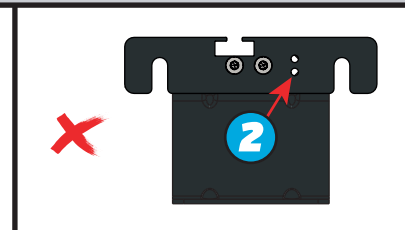
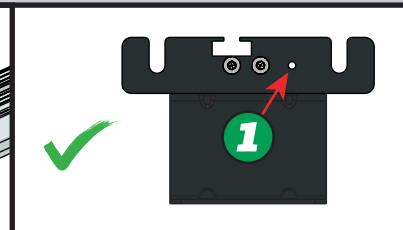
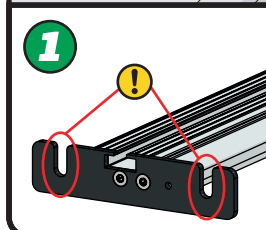
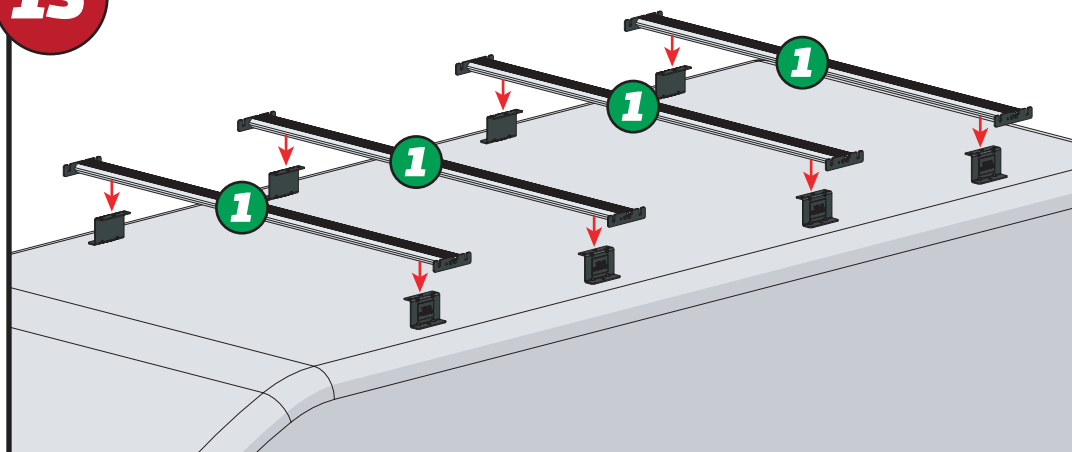
11

FX4012  
(M6X16)

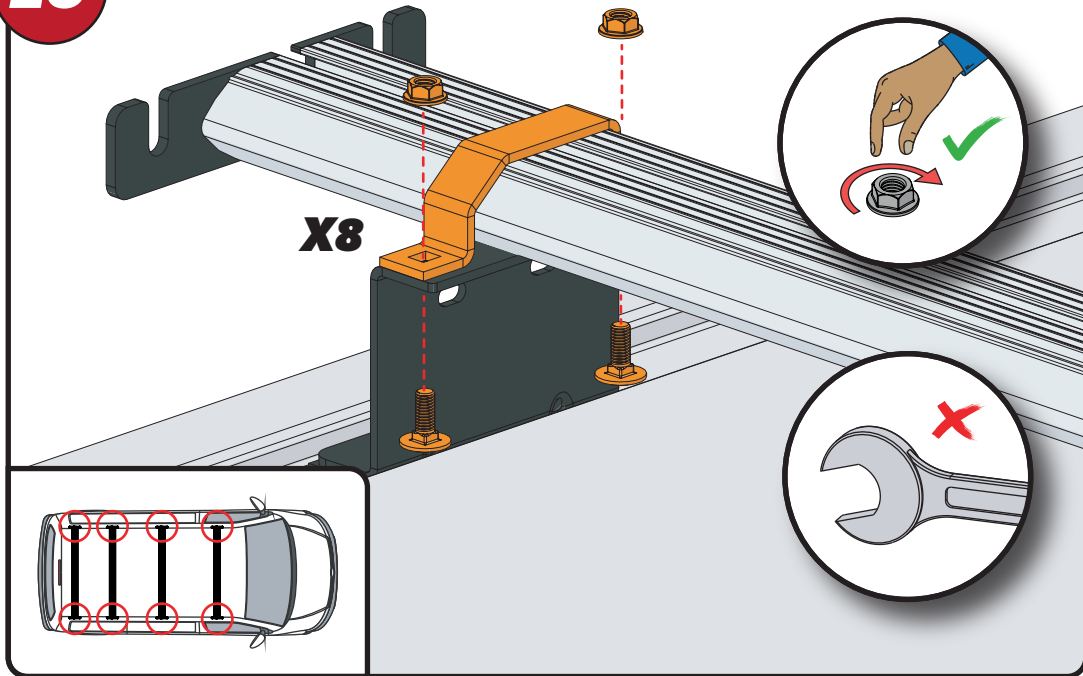


FX4026  
(M6X20)

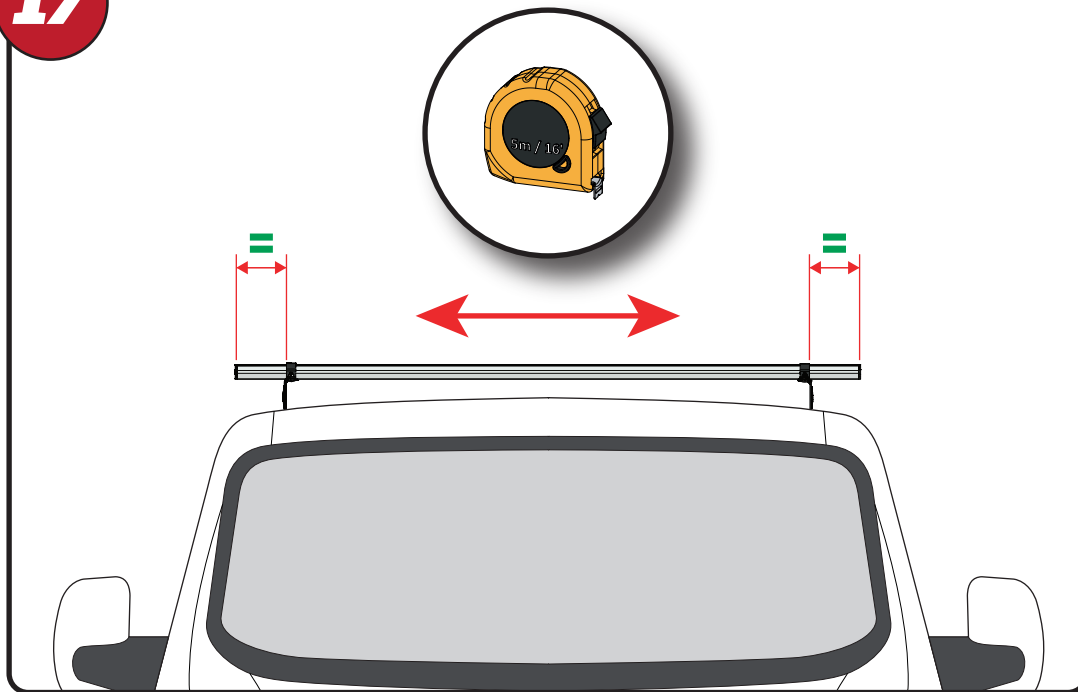
FX4012  
(M6X16)

**12****X12****13****X2****EN** - INSERT X2 INTO ALL BARS**DE** - X2 IN ALLE STANGEN EINFÜGEN**FR** - INSÉRER X2 DANS TOUTES LES BARRES**NL** - PLAATS X2 IN ALLE BARS**ES** - INSERTAR X2 EN TODAS LAS BARRAS**IT** - INSERIRE X2 IN TUTTE LE BARRE**SV** - INFOGA X2 I ALLA STÄNGAR**DA** - INDSÆT X2 I ALLE STÆNGER**NO** - SETT X2 INN I ALLE TAKSTENGER**PL** - WSTAW X2 DO WSZYSTKICH PRĘTÓW**CS** - VLOŽTE X2 DO VŠECH TYČÍ**14****15**

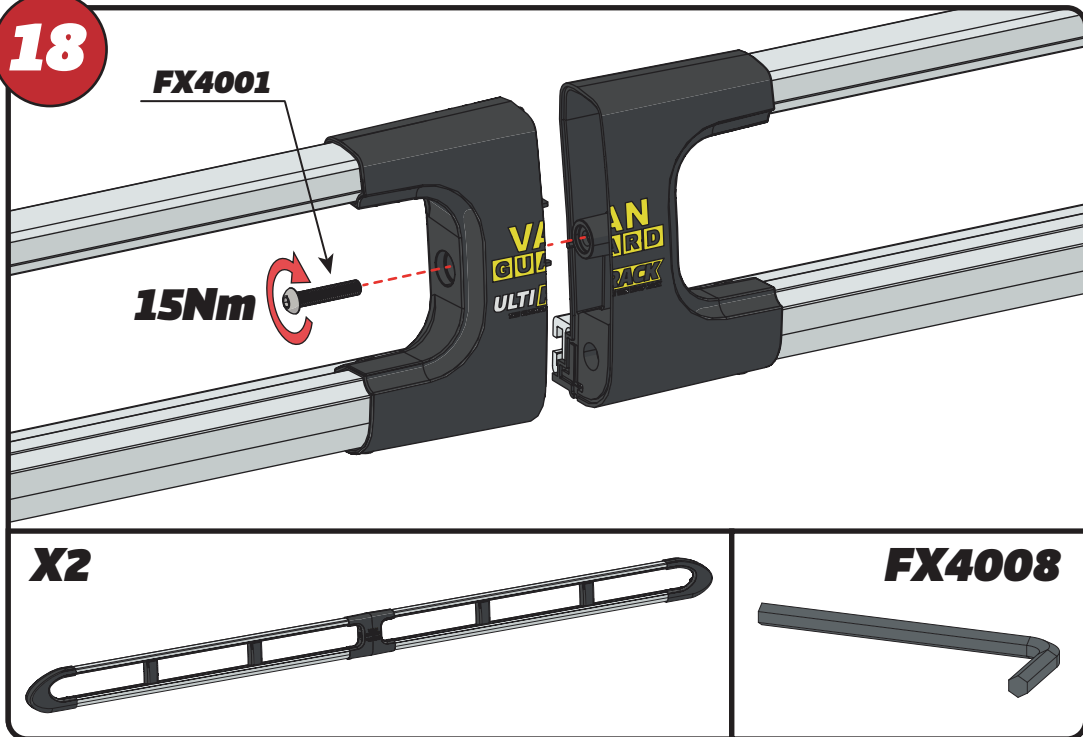
16



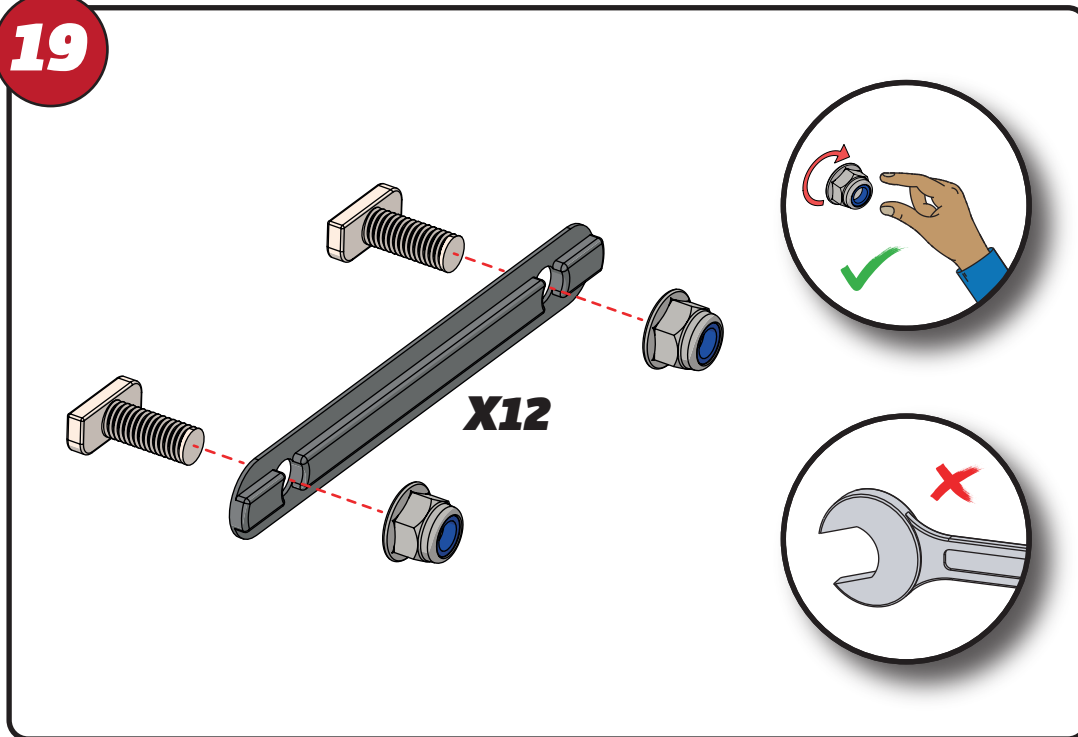
17



18

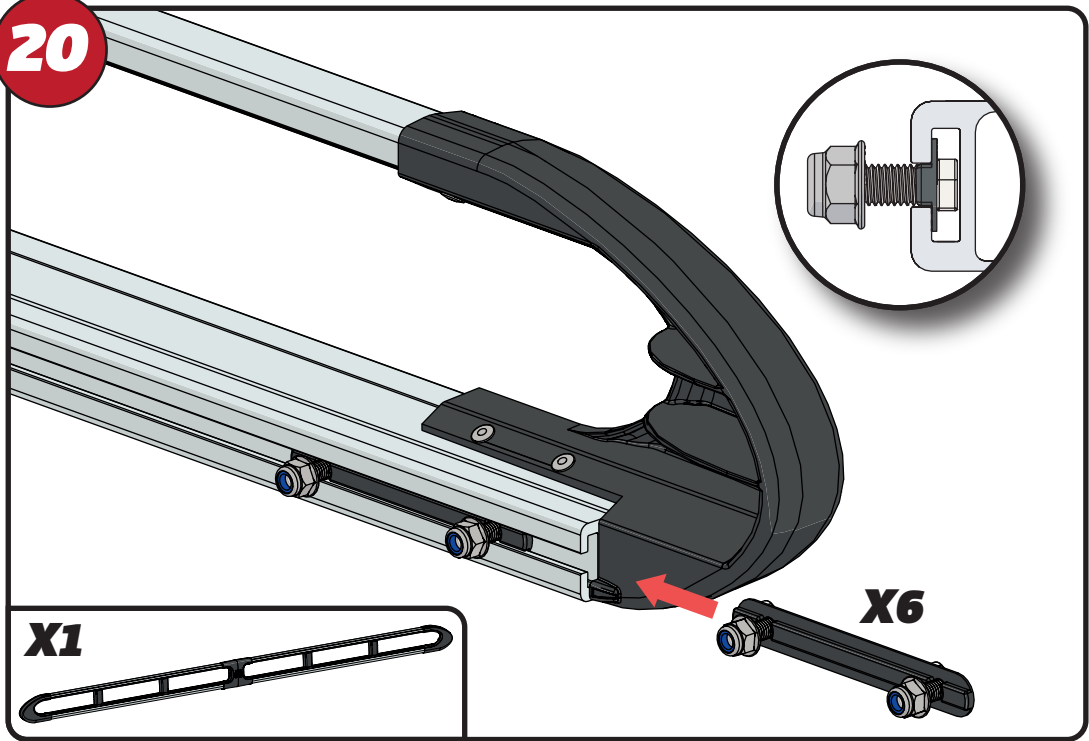


19

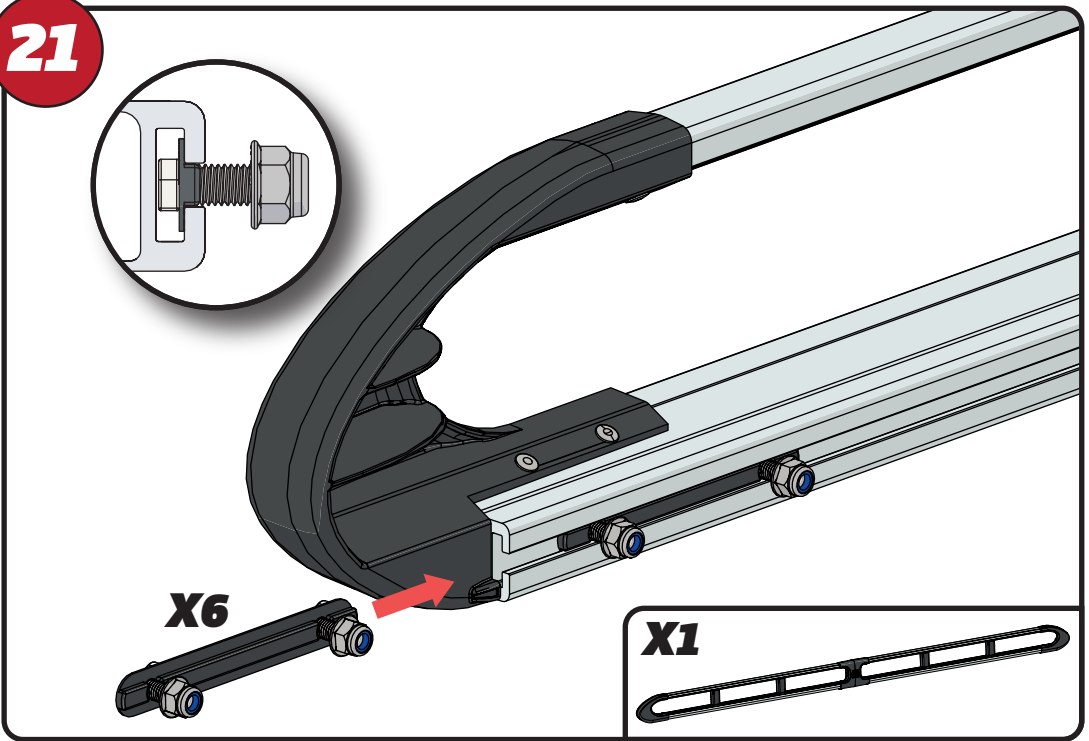




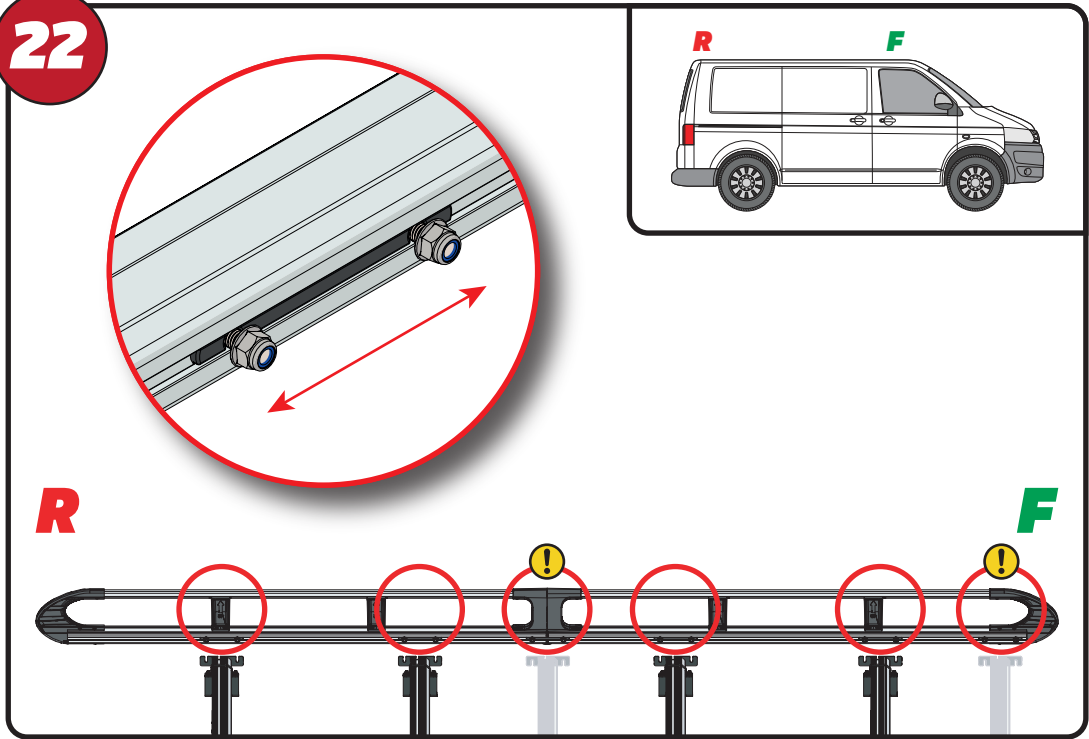
20



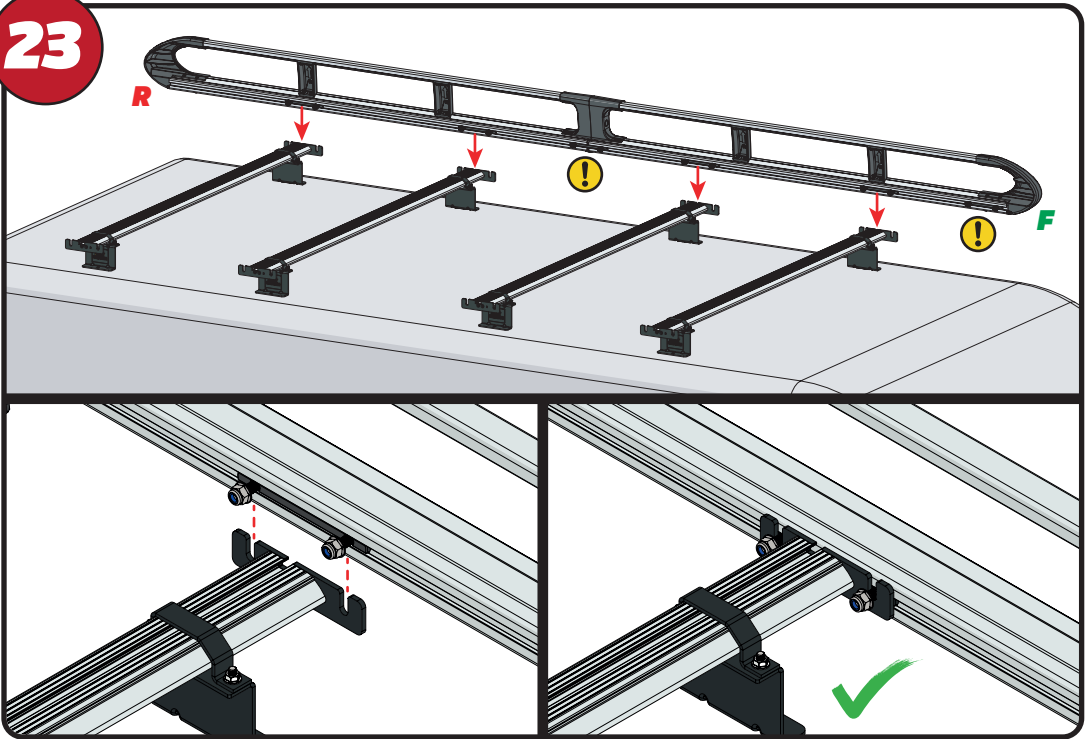
21



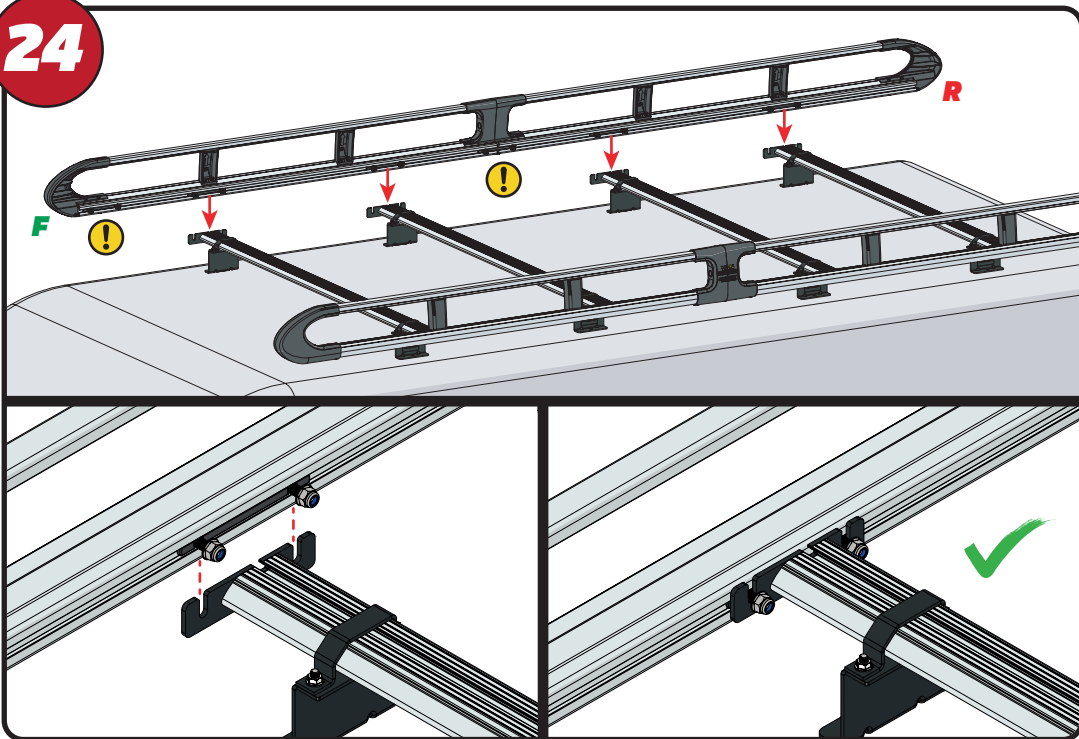
22



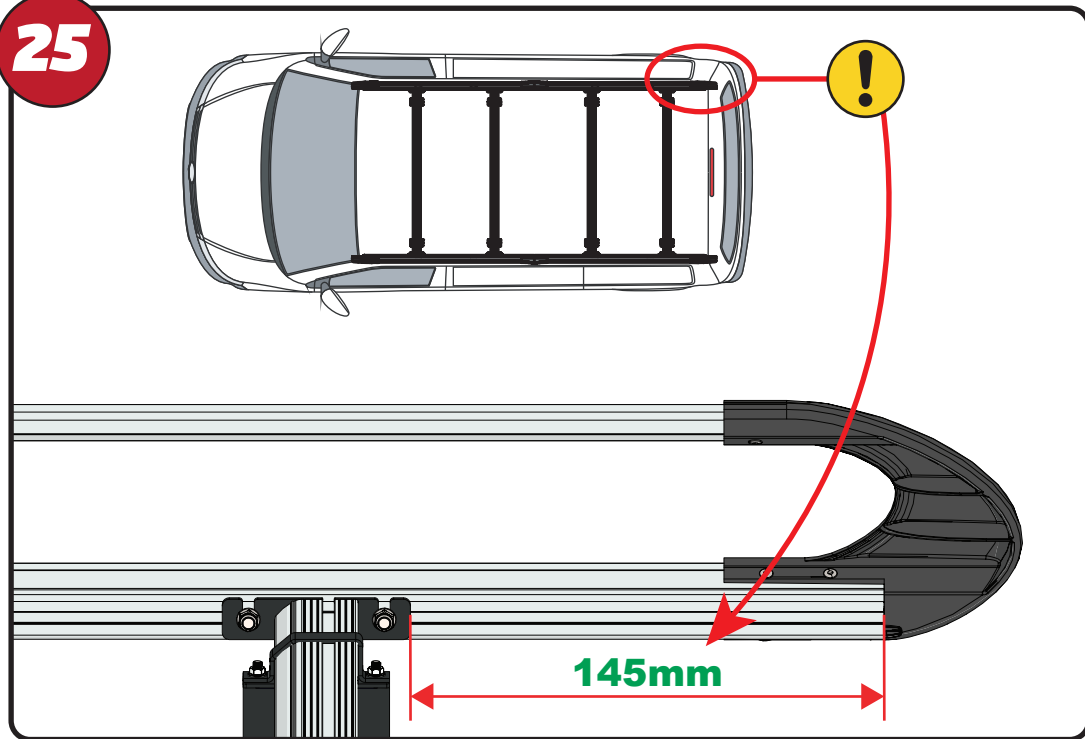
23



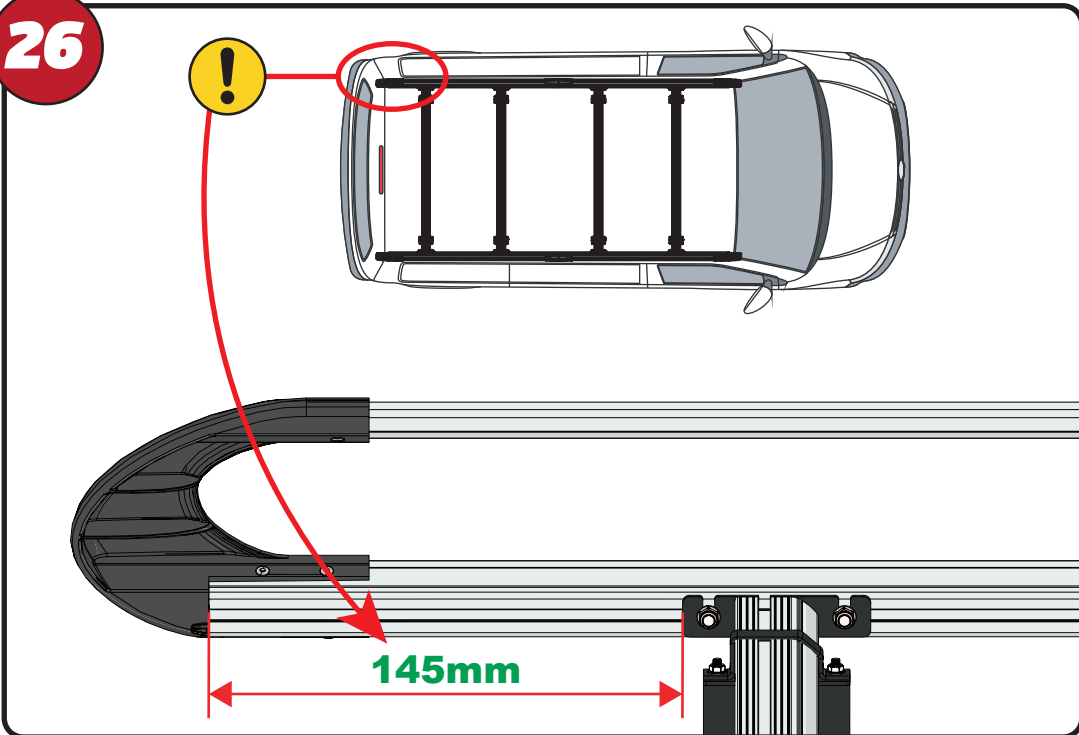
24



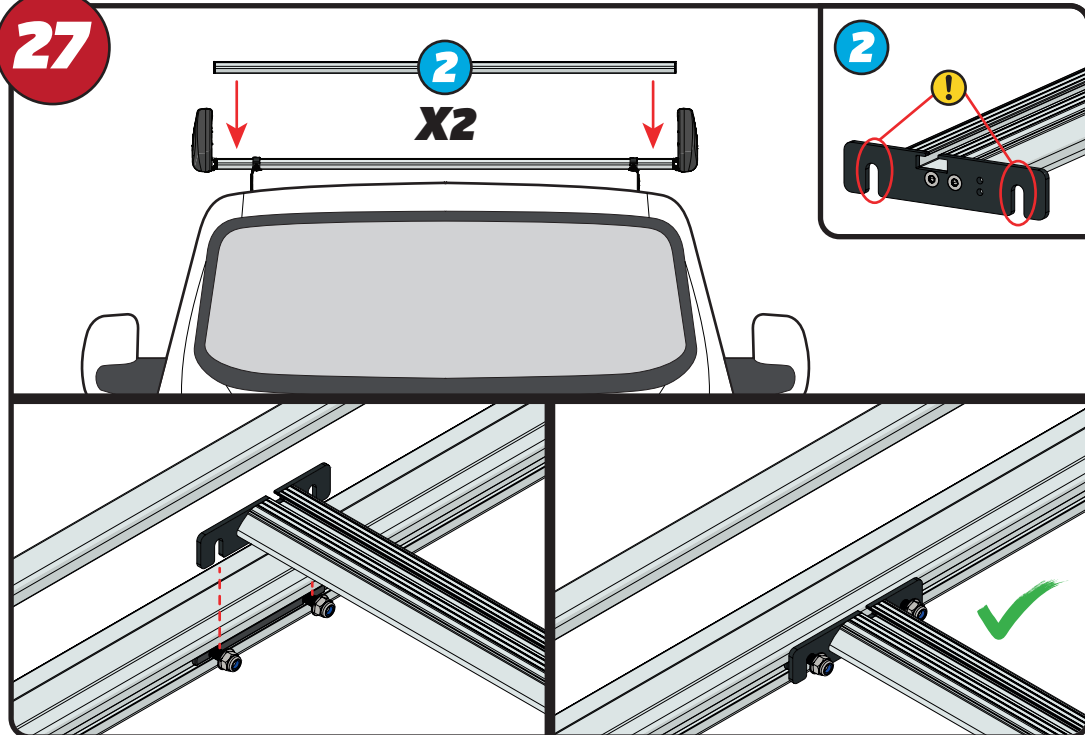
25



26

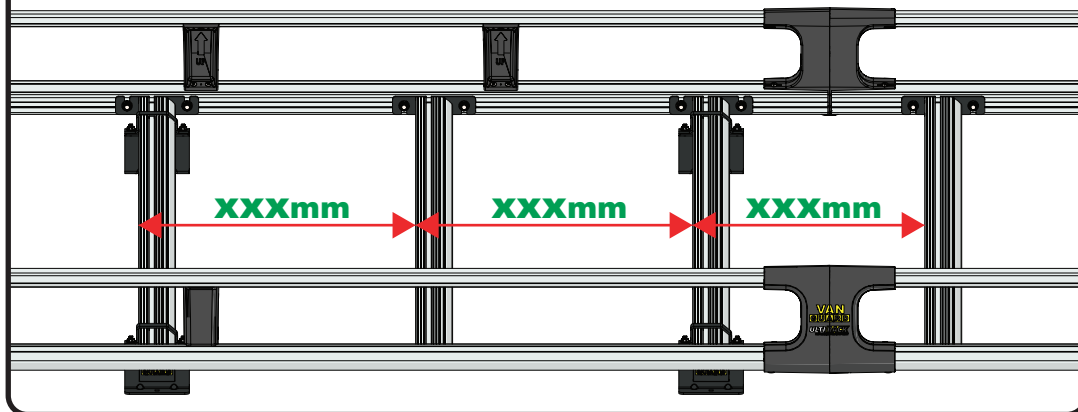
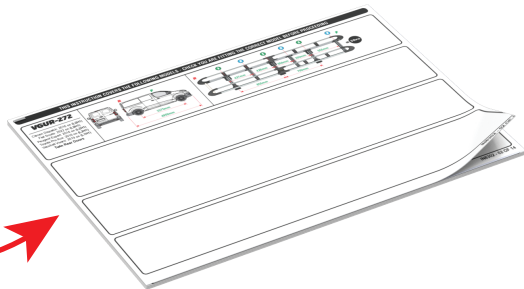
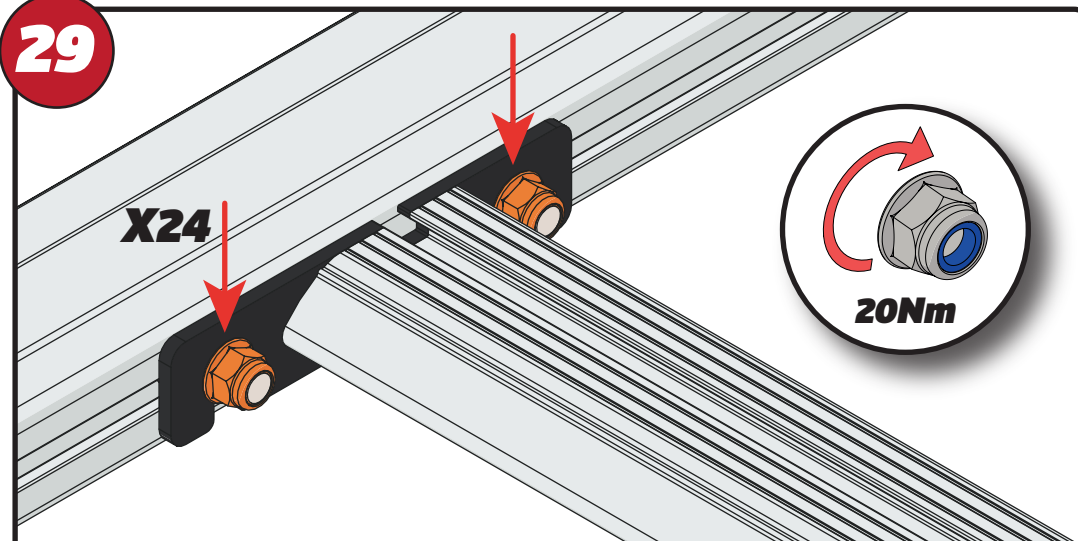


27



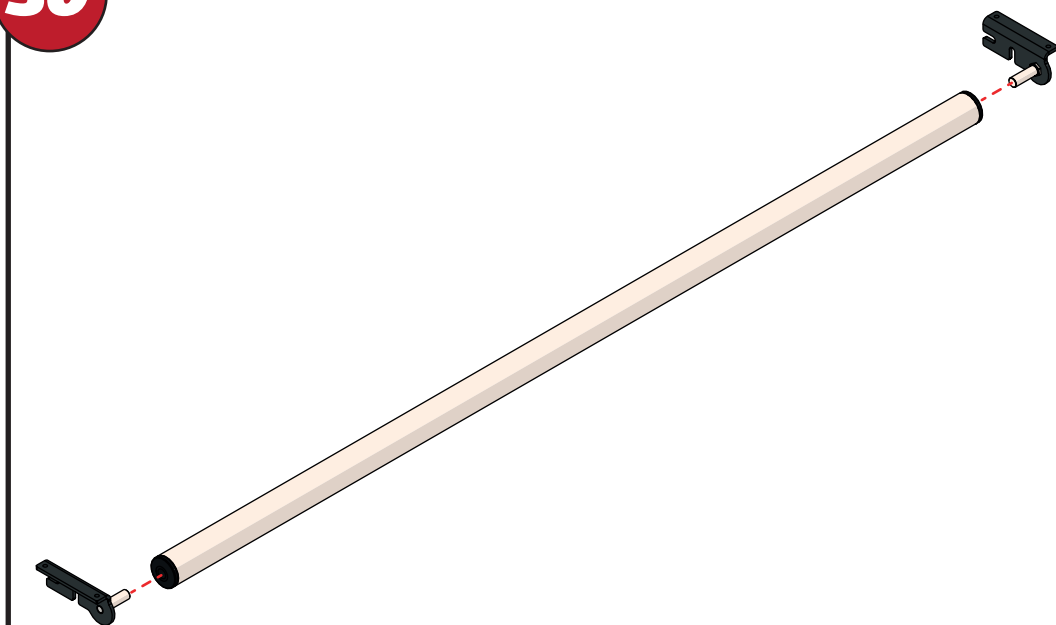
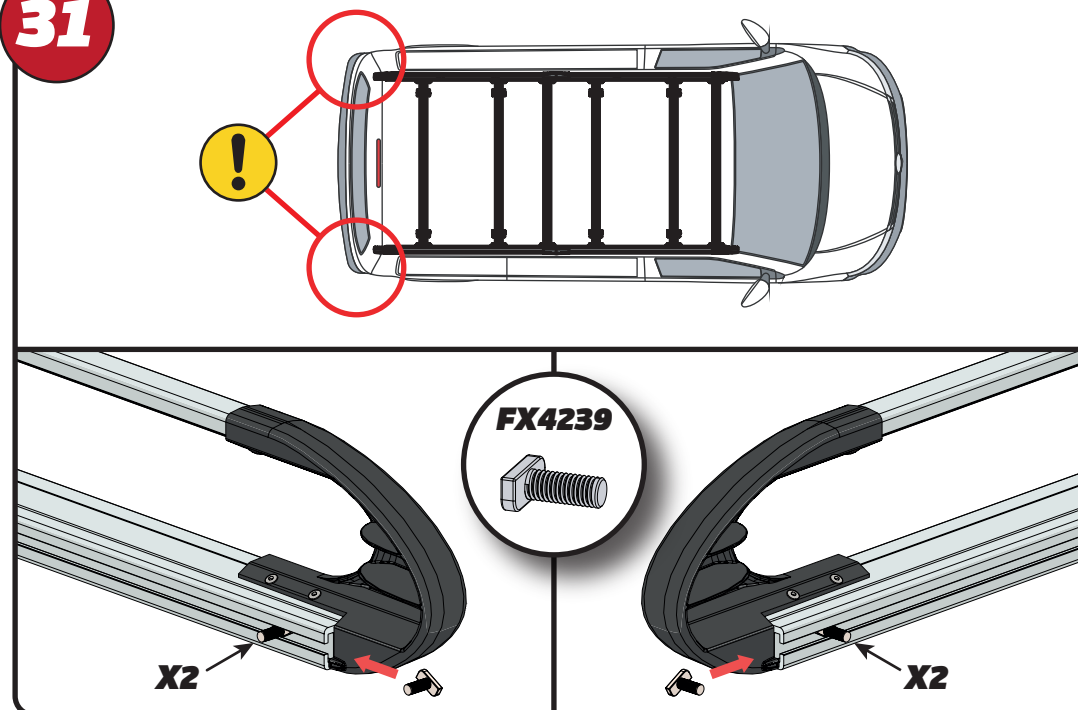
**28**

XXX =  
PAGE 2 OF 15

**29****X24****20Nm**

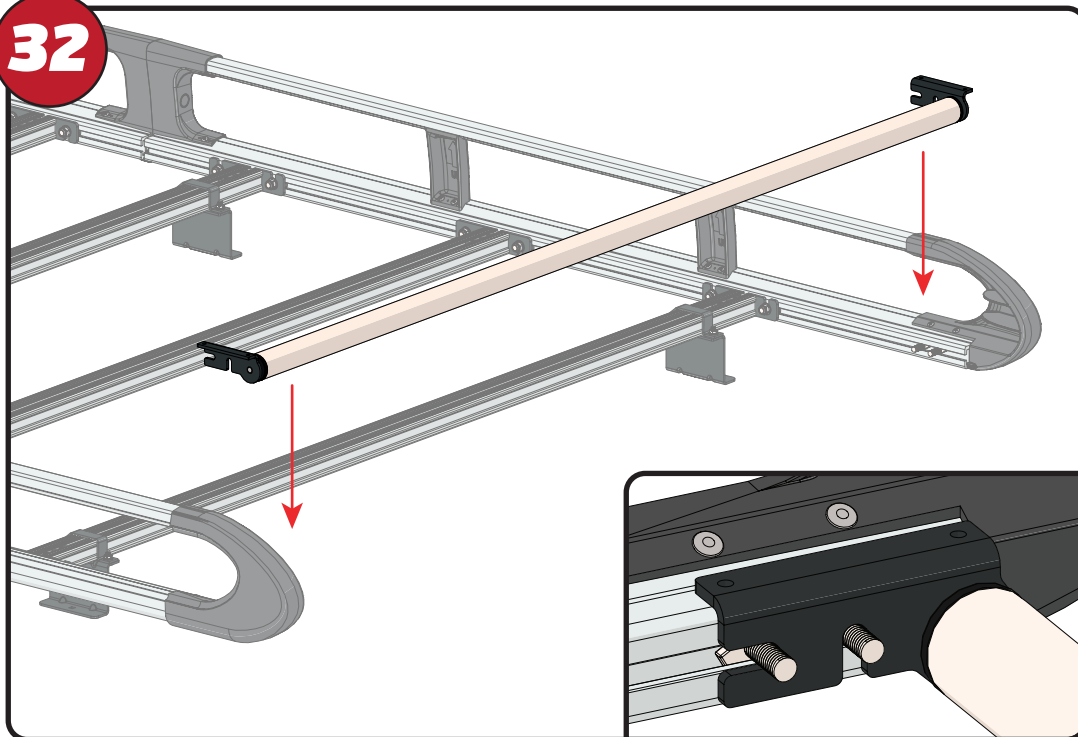
EN - TIGHTEN ALL OF THE CROSS BARS  
DE - ALLE QUERSTANGEN FESTZIEHEN  
FR - SERREZ TOUTES LES BARRES TRANSVERSALES  
NL - DRAAI ALLE DWARSBALK VAN HET DAK AAN  
ES - APRIETE TODAS LAS BARRAS TRANSVERSALES  
IT - STRINGERE TUTTE LE BARRE TRASVERSALI

SV - SKRU UPP ALLA KORSSTANGAR  
DA - SKRU ALLE TAGBØJLER OP  
NO - SKRU OPP ALLE TVERRSTENGER  
PL - DOKRĘCIĆ WSZYSTKIE POPRZECZKI  
CS - VŠECHNY PŘÍČNÉ TYČE SEŠROUJTE

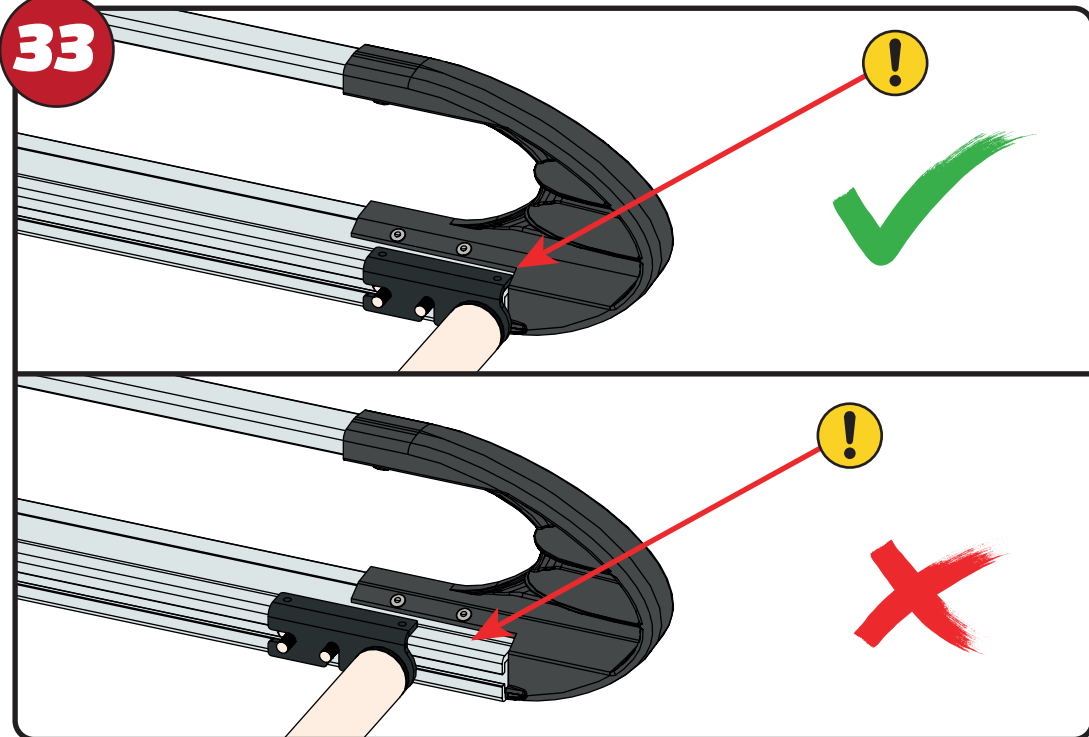
**30****31****FX4239****X2****X2**



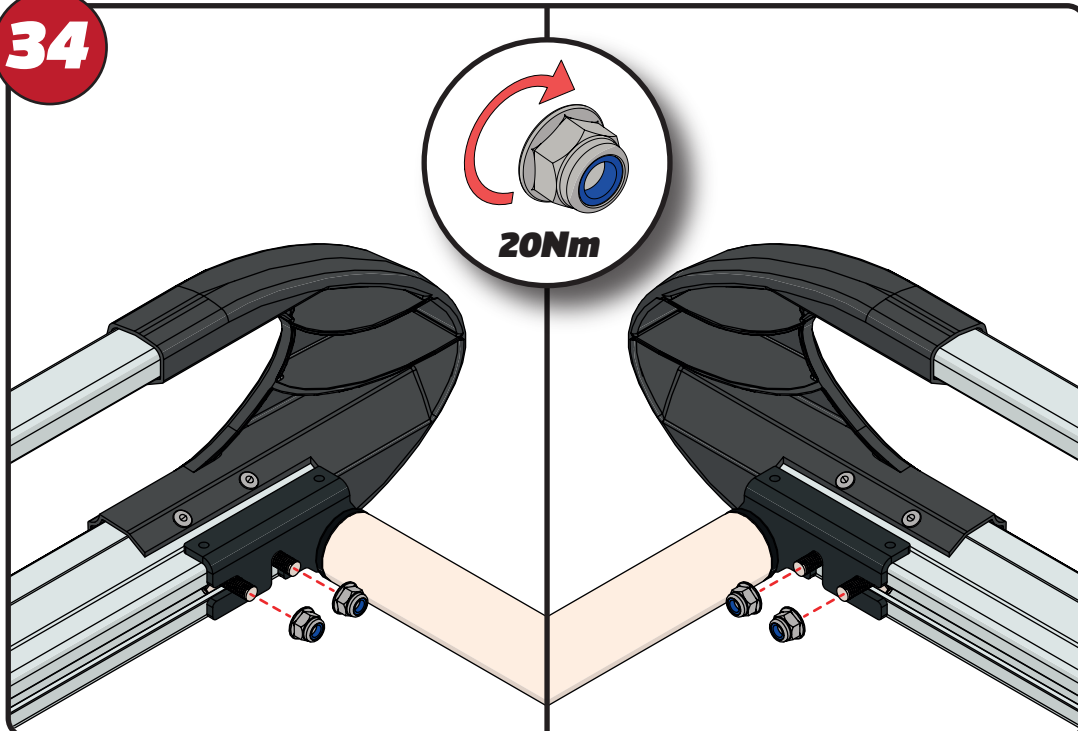
32



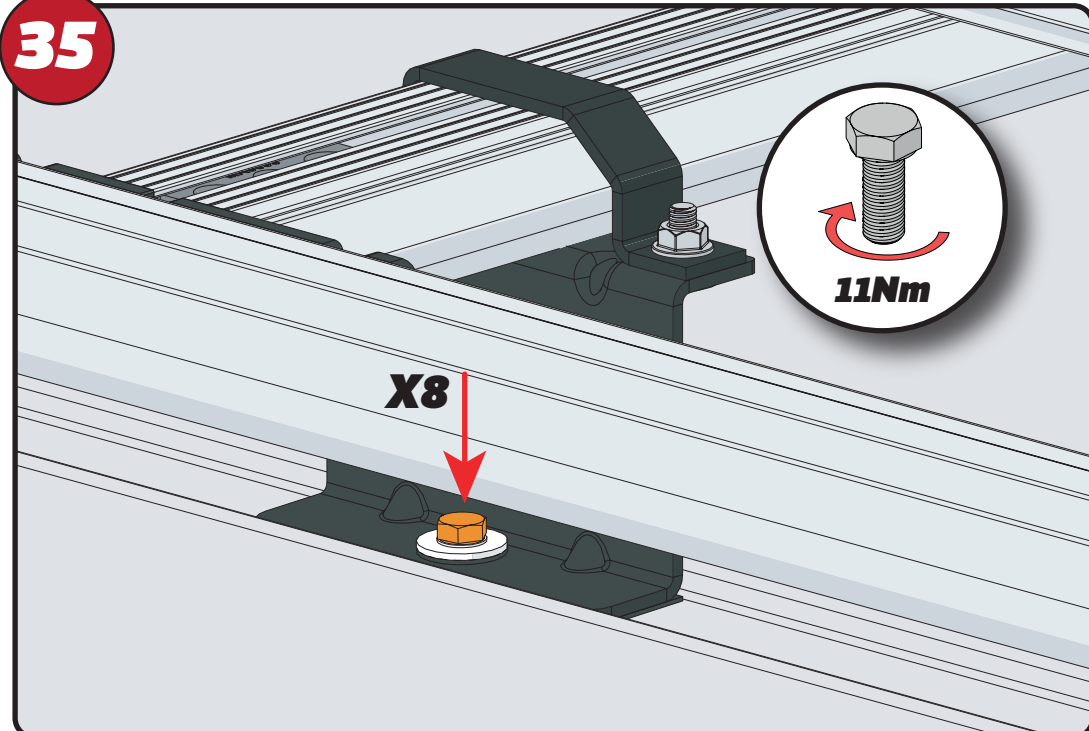
33



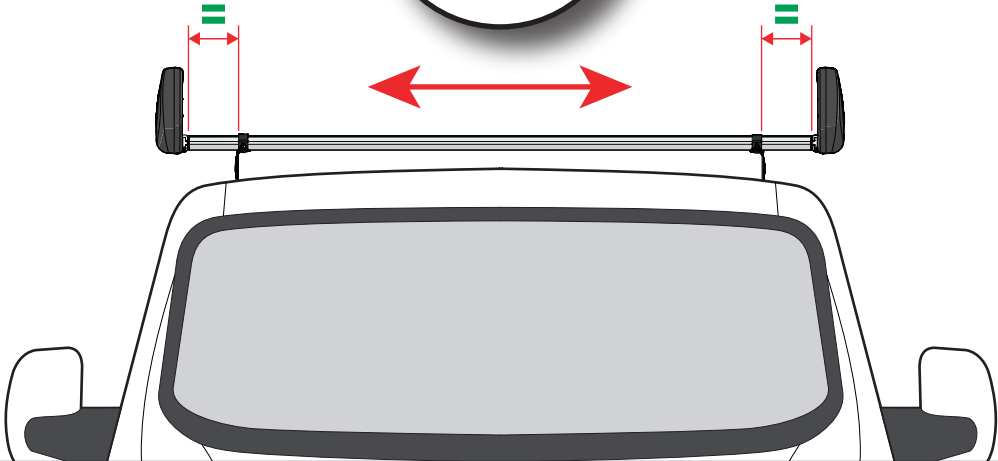
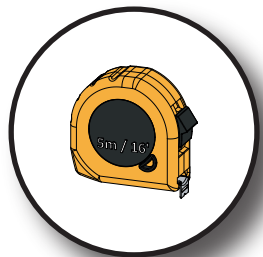
34



35

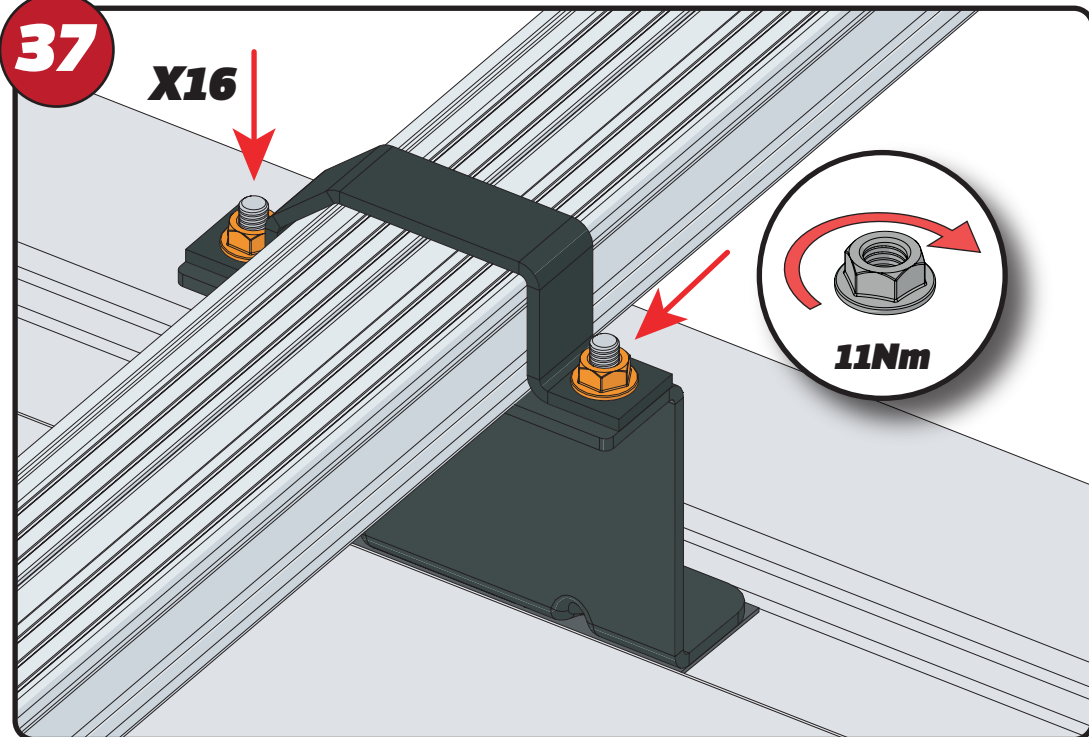


**36**



**37**

**X16**



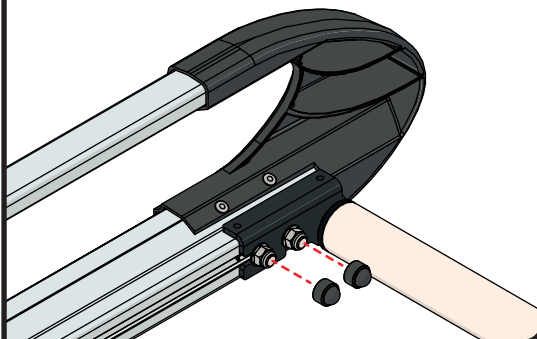
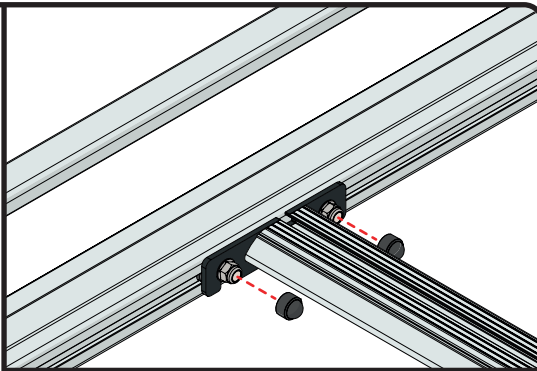
**11Nm**

**38**

**FX4241**

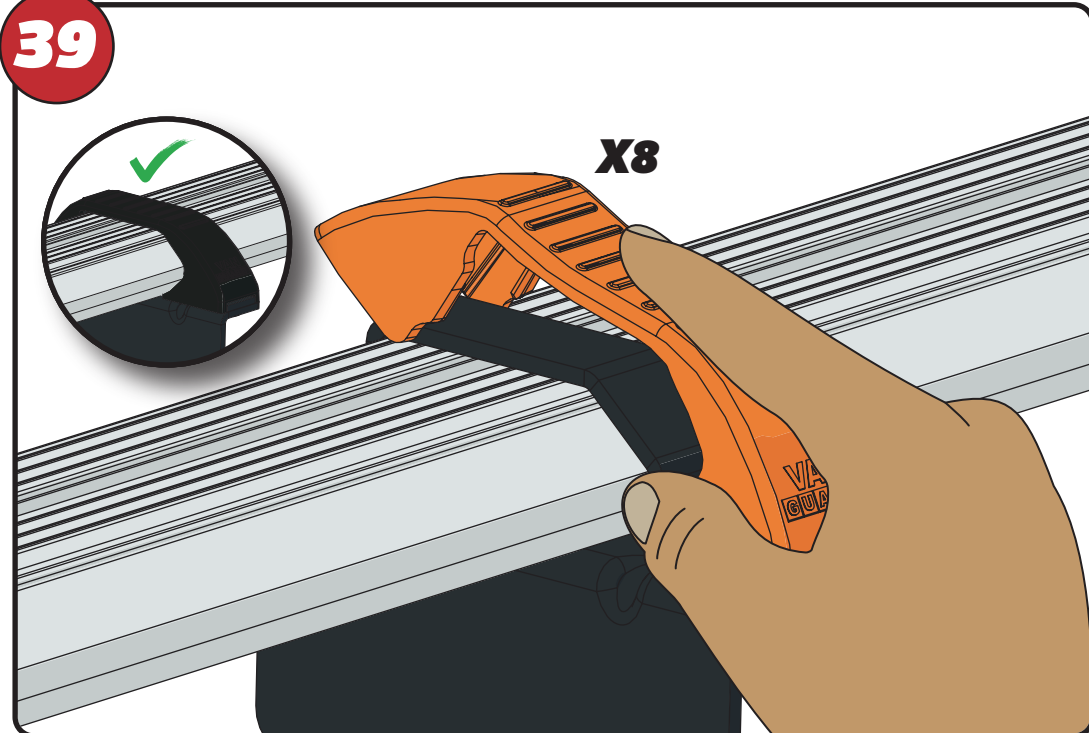


**X28**

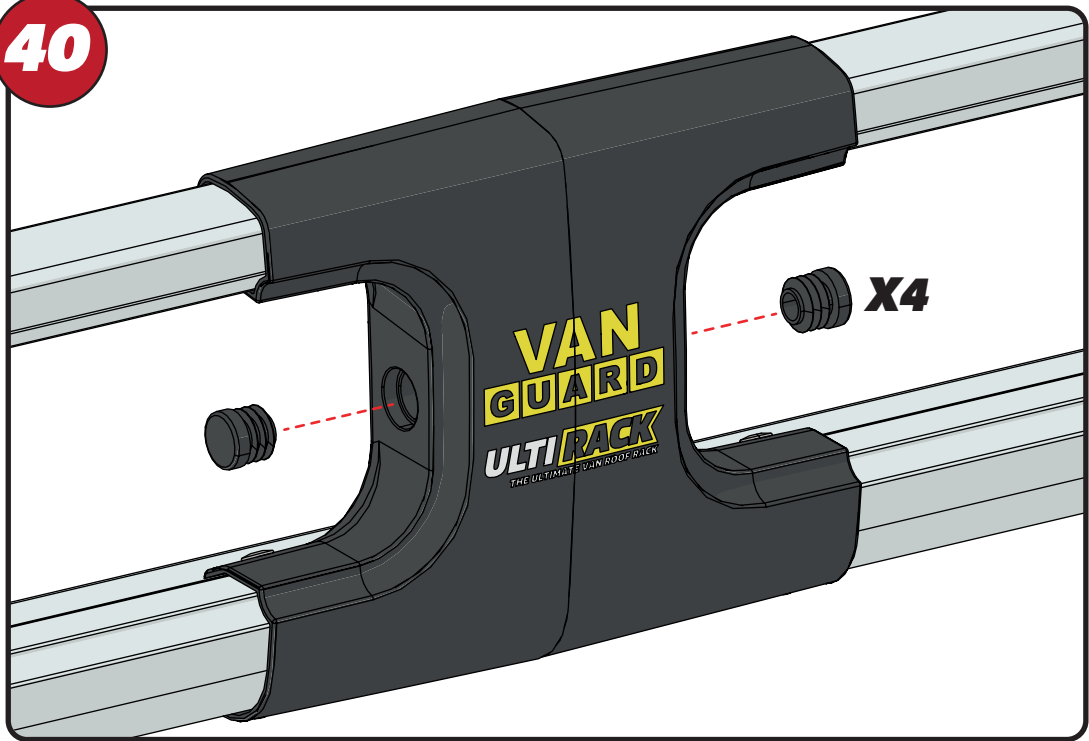


**39**

**X8**



40



41

